

ROLL STAND FOR PHILIPS CM120

A NEW ROLL STAND FOR THE PHILIPS EFFICIA CM120 PATIENT MONITOR AT AN EXTREMELY COMPETITIVE PRICE, AVAILABLE IN EUROPE FOR QUICK DELIVERY

A new lightweight maneuverable roll stand specially designed for the **Philips Efficia Model CM120 patient monitor** provides a quality roll stand at a competitive price.

The roll provides either, fixed angle positioning, or extremely ergonomic tilt adjustment for the convenience of the medical staff. Roll stand with 3" wheels with rigid polycarbonate transparent accessories tray and a designated holder for **Philips Efficia Model CM120 patient monitor** & Optional with designated holder for **Philips Efficia Mounting Rack**

Item Numbers:

Roll stand with tray:

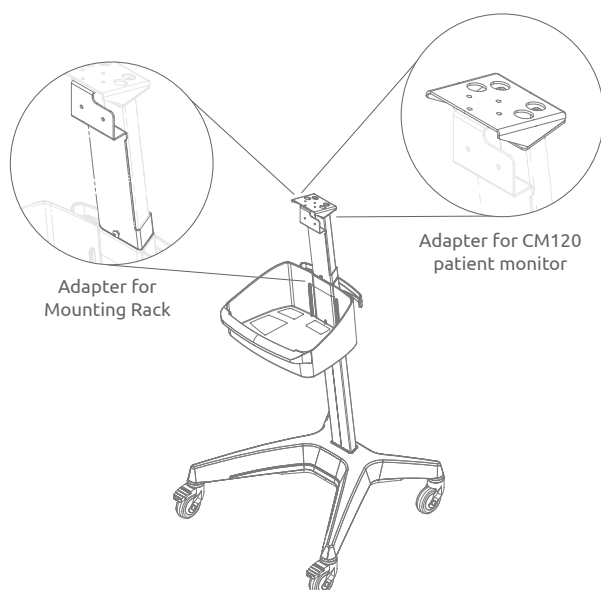
RSB-MNTR-MPRO85

Adapter for CM120:

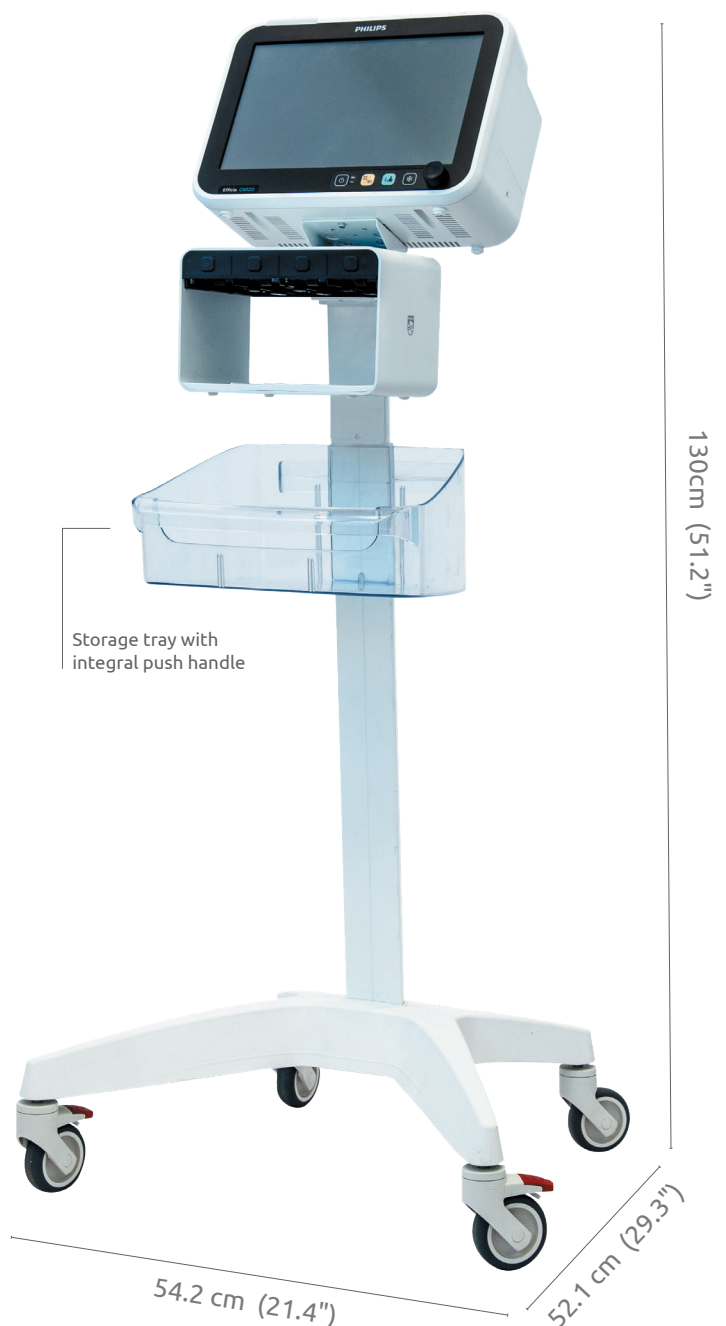
RSB-PHLPS-ADP

Adapter for Mounting Rack:

RSB-PHLPS-MODUL-ADP



- ✓ *Competitive price*
- ✓ *Tool-free assembly*
- ✓ *Lightweight*



ROLL STAND FOR MINDRAY EPM 12M

A NEW ROLL STAND FOR THE MINDRAY EPM 12M PATIENT MONITOR AT AN EXTREMELY COMPETITIVE PRICE, AVAILABLE IN EUROPE FOR QUICK DELIVERY

A new lightweight maneuverable roll stand specially designed for the **Mindray EPM 12M Patient Monitor** provides a quality roll stand at a competitive price.

The roll provides either, fixed angle positioning, or extremely ergonomic tilt adjustment for the convenience of the medical staff. Roll stand with 3" wheels with rigid polycarbonate transparent accessories tray and a designated holder for **Mindray EPM 12M Patient Monitor**

- ✓ *Competitive price*
- ✓ *Tool-free assembly*
- ✓ *Lightweight*

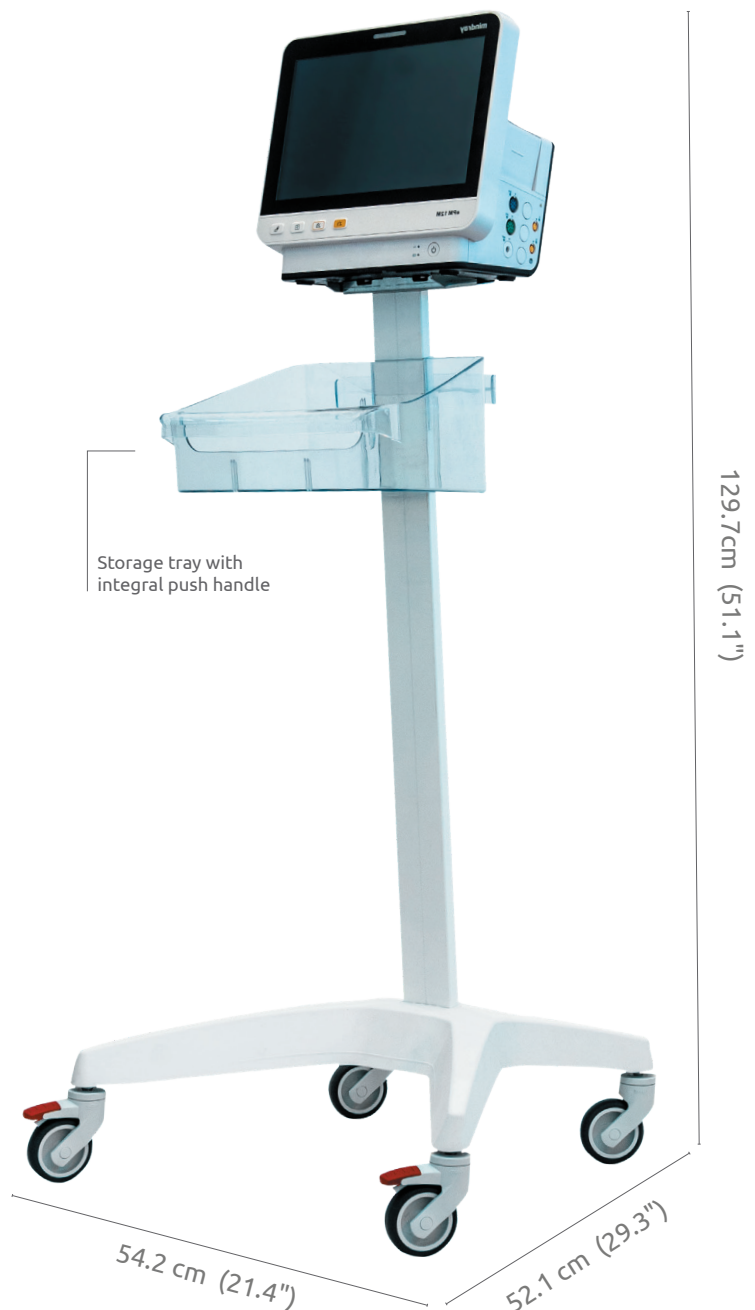
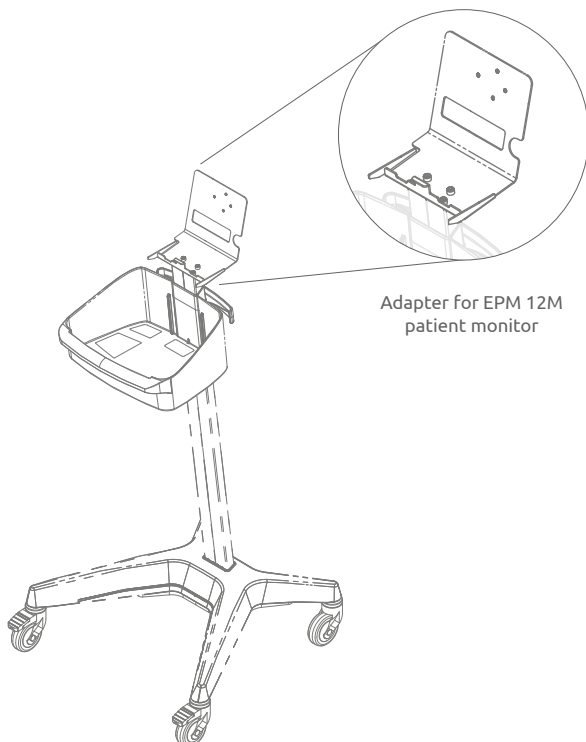
Item Numbers:

Roll stand with tray:

RSB-MNTR-MPRO85

Adapter for EPM 12M:

RSB-EPM12M-PL



ROLL STAND FOR VELA™ VENTILATOR

A NEW ROLL STAND FOR THE VELA™ VENTILATOR AT AN EXTREMELY COMPETITIVE PRICE, AVAILABLE IN EUROPE FOR QUICK DELIVERY

A new lightweight maneuverable roll stand specially designed for the **Vela™ Ventilator** provides a quality roll stand at a competitive price.

The roll provides either, fixed angle positioning, or extremely ergonomic tilt adjustment for the convenience of the medical staff. Roll stand with 4" wheels and a designated holder for **Vela™ Ventilator**

- ✓ **Competitive price**
- ✓ **Tool-free assembly**
- ✓ **Lightweight**

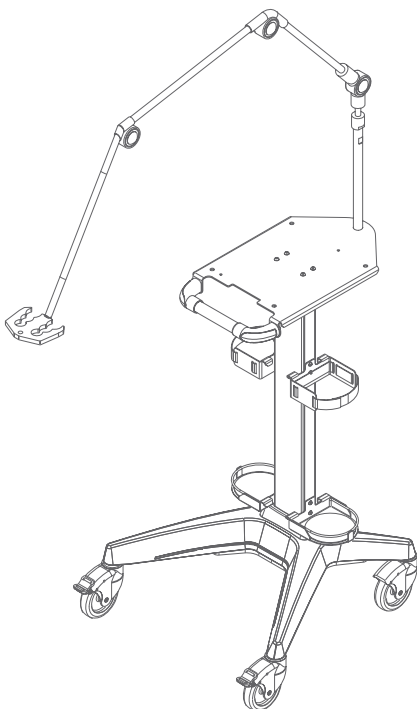
Item Numbers:

Roll stand for Vela™ Ventilator:

RSBV-VELLA-CART

Oxygen cylinder holder:

AXBH-KIT



ROLL STAND FOR PHILIPS VS4

A NEW ROLL STAND FOR THE PHILIPS SURESIGNS VS4 VITAL SIGNS MONITOR AT AN EXTREMELY COMPETITIVE PRICE, AVAILABLE IN EUROPE FOR QUICK DELIVERY

A new lightweight maneuverable roll stand specially designed for the **Philips SureSigns VS4 Vital signs monitor** provides a quality roll stand at a competitive price.

The roll provides either, fixed angle positioning, or extremely ergonomic tilt adjustment for the convenience of the medical staff. Roll stand with 3" wheels with rigid polycarbonate transparent accessories tray and a designated holder for **Philips SureSigns VS4 Vital signs monitor**

- ✓ *Competitive price*
- ✓ *Tool-free assembly*
- ✓ *Lightweight*

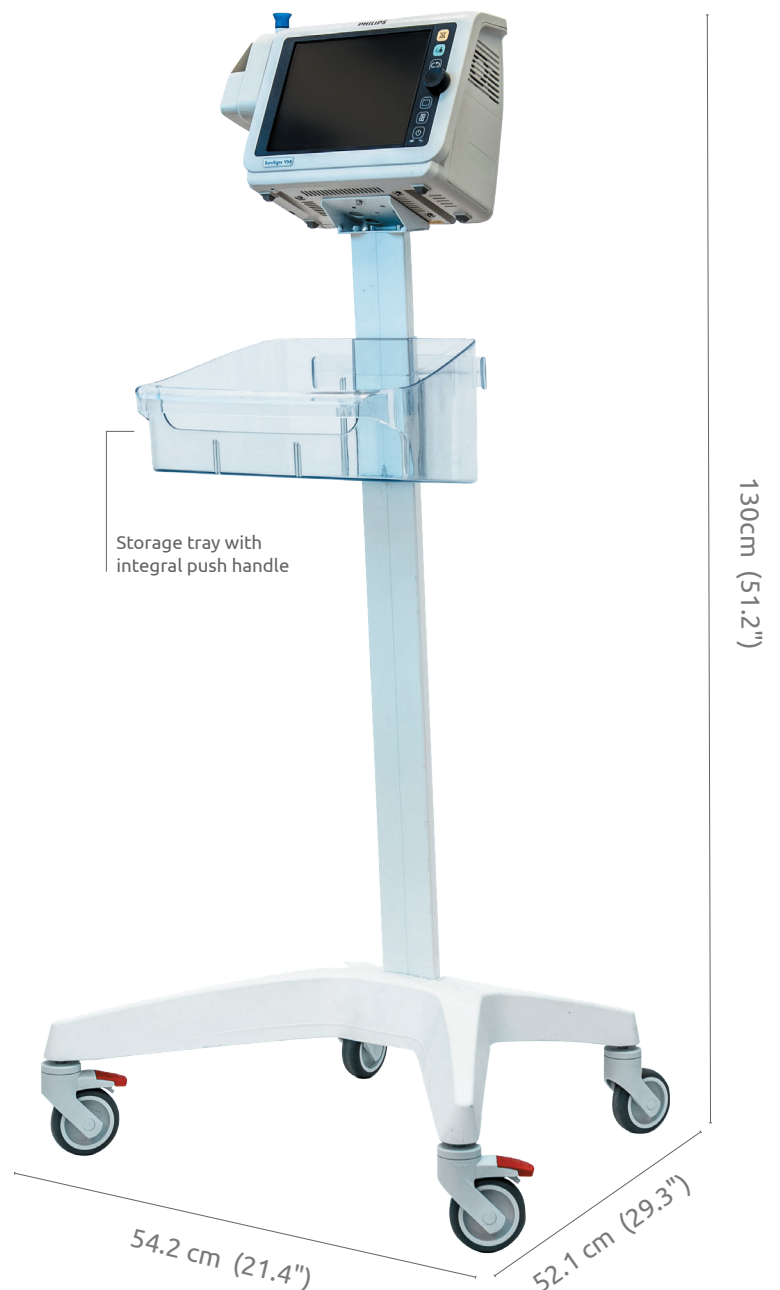
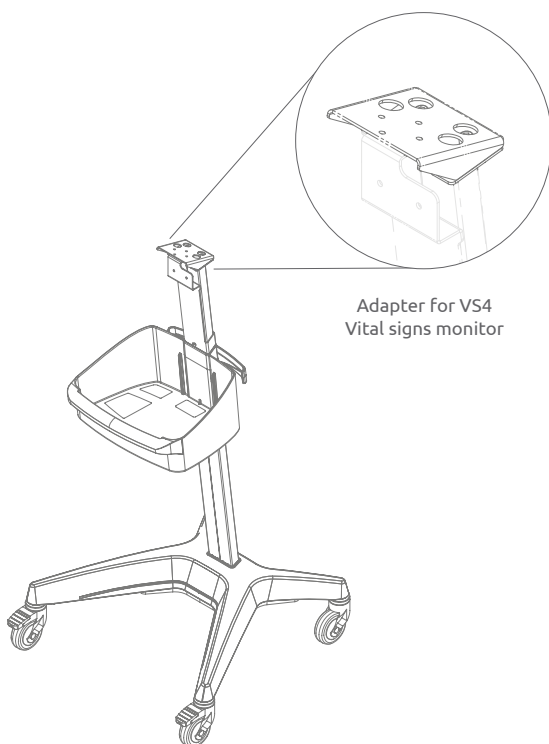
Item Numbers:

Roll stand with tray:

RSB-MNTR-MPRO85

Adapter for SureSigns VS4:

RSB-PHLPS-ADP



ROLL STAND FOR PHILIPS VS4

A NEW ROLL STAND FOR THE PHILIPS SURESIGNS VS4 VITAL SIGNS MONITOR AT AN EXTREMELY COMPETITIVE PRICE, AVAILABLE IN EUROPE FOR QUICK DELIVERY

A new lightweight maneuverable roll stand specially designed for the **Philips SureSigns VS4 Vital signs monitor** provides a quality roll stand at a competitive price.

Roll stand with **five 3"** wheels with rigid accessories tray with ergonomic push handle and a designated holder for **Philips SureSigns VS4 Vital signs monitor**

- ✓ *Competitive price*
- ✓ *Tool-free assembly*
- ✓ *Lightweight*

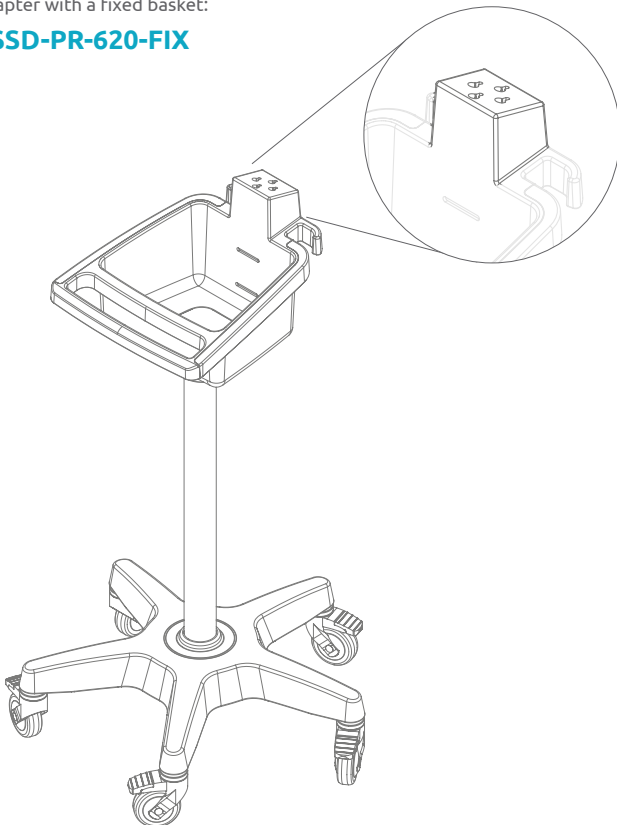
Item Numbers:

Roll stand with a revolving basket:

RSSD-PR-620-BR

Adapter with a fixed basket:

RSSD-PR-620-FIX



Can be ordered with an adapter that allows the basket to rotate

128 cm (50.4")

Diameter: 58cm (22.9")

ROLL STAND FOR PHILIPS NC12

A NEW ROLL STAND FOR THE PHILIPS SURESIGNS COMEN NC12 MODULAR PATIENT MONITOR AT AN EXTREMELY COMPETITIVE PRICE, AVAILABLE IN EUROPE FOR QUICK DELIVERY

A new lightweight maneuverable roll stand specially designed for the **Comen NC12 Modular Patient Monitor** provides a quality roll stand at a competitive price.

The roll provides either, fixed angle positioning, or extremely ergonomic tilt adjustment for the convenience of the medical staff. Roll stand with 3" wheels with rigid polycarbonate transparent accessories tray and a designated holder for **Comen NC12 Modular Patient Monitor**

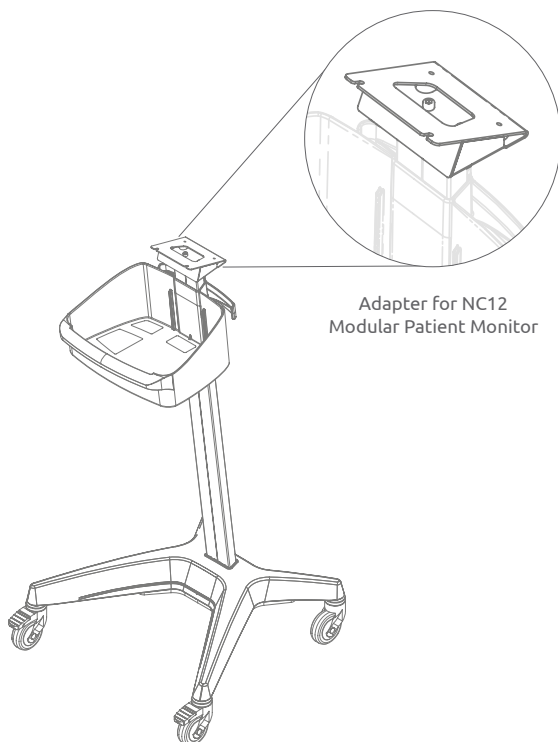
Item Numbers:

Roll stand with tray:

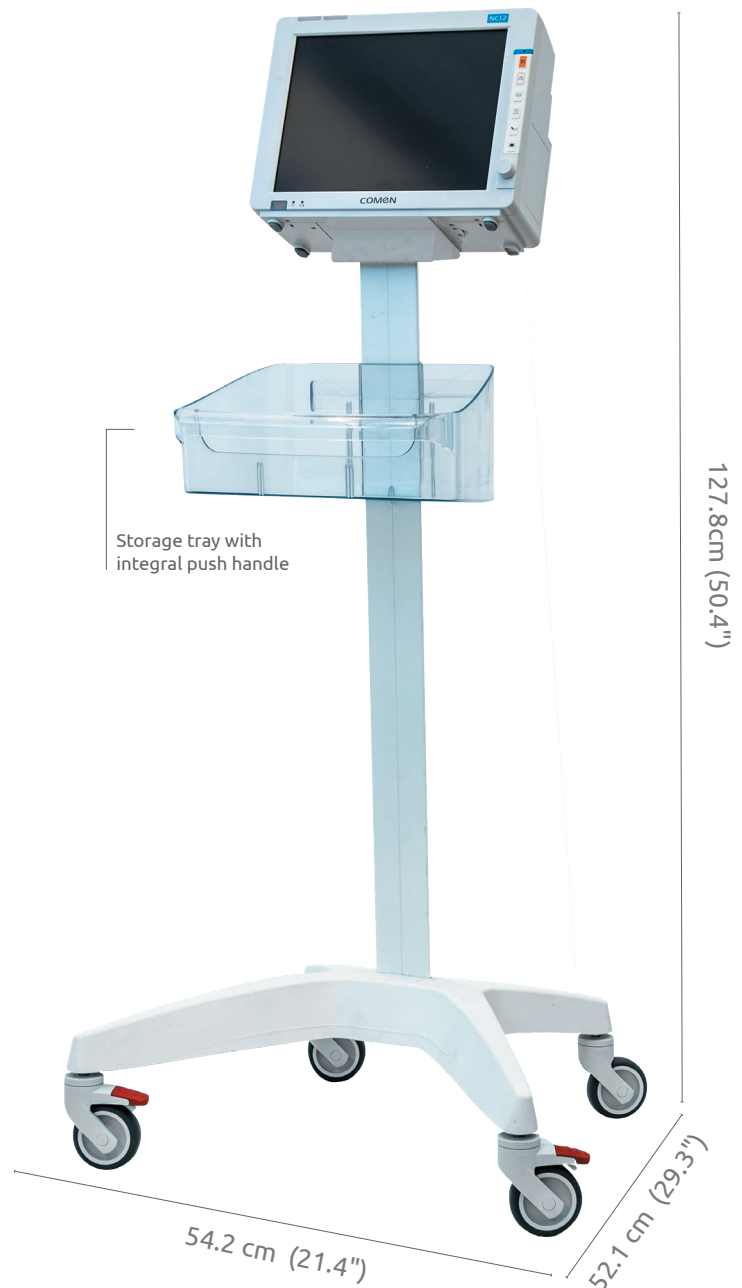
RSB-MNTR-MPRO85

Adapter for NC12:

RSB-PHLPS-ADP



- ✓ **Competitive price**
- ✓ **Tool-free assembly**
- ✓ **Lightweight**



ROLL STAND FOR SUNTECH CT50

A NEW ROLL STAND FOR THE SUNTECH CT50 MONITOR AT AN EXTREMELY COMPETITIVE PRICE, AVAILABLE IN EUROPE FOR QUICK DELIVERY

A new lightweight maneuverable roll stand specially designed for the **SunTech CT50 Monitor** provides a quality roll stand at a competitive price.

Roll stand with **five 3"** wheels with rigid accessories tray with ergonomic push handle and a designated holder for **SunTech CT50 Monitor**

- ✓ *Competitive price*
- ✓ *Tool-free assembly*
- ✓ *Lightweight*

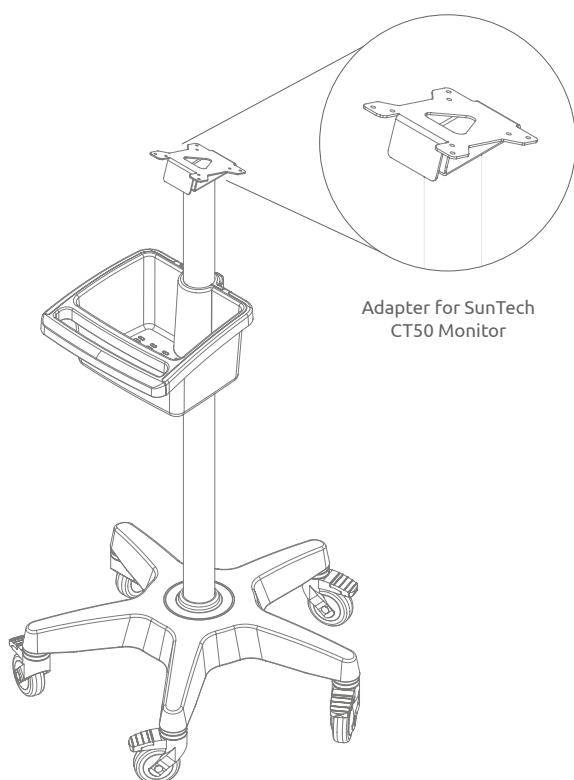
Item Numbers:

Roll stand with tray:

RSSD-PR-893-VESA

Adapter for CT50:

RSSD-MNTR-VESA-PL



ROLL STAND FOR SPACELABS QUBE

A NEW ROLL STAND FOR THE SPACELABS QUBE COMPACT MONITOR AT AN EXTREMELY COMPETITIVE PRICE, AVAILABLE IN EUROPE FOR QUICK DELIVERY

A new lightweight maneuverable roll stand specially designed for the **Spacelabs Qube compact monitor** provides a quality roll stand at a competitive price.

The roll provides either, fixed angle positioning, or extremely ergonomic tilt adjustment for the convenience of the medical staff. Roll stand with 3" wheels with rigid polycarbonate transparent accessories tray and a designated holder for **Spacelabs Qube compact monitor**

- ✓ *Competitive price*
- ✓ *Tool-free assembly*
- ✓ *Lightweight*

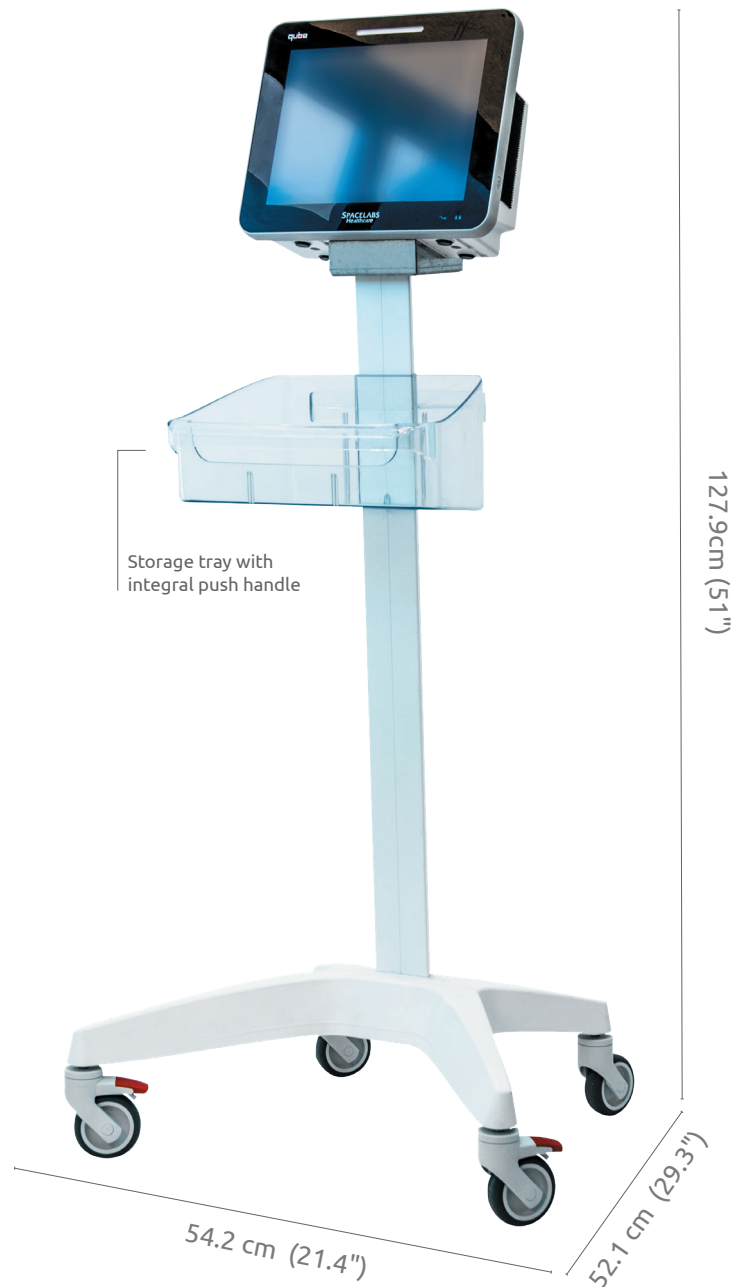
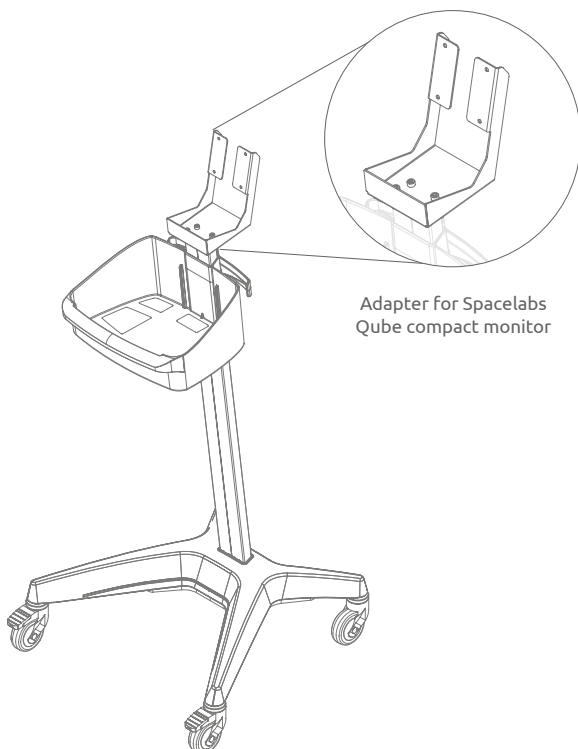
Item Numbers:

Roll stand with tray:

RSB-MNTR-MPRO85

Adapter for Qube:

QUBE-SH-ADP



ROLL STAND FOR GE HEALTHCARE B125

A NEW ROLL STAND FOR THE GE HEALTHCARE B125 PATIENT MONITORS AT AN EXTREMELY COMPETITIVE PRICE, AVAILABLE IN EUROPE FOR QUICK DELIVERY

A new lightweight maneuverable roll stand specially designed for the **GE Healthcare B125 Patient Monitors** provides a quality roll stand at a competitive price.

The roll provides either, fixed angle positioning, or extremely ergonomic tilt adjustment for the convenience of the medical staff. Roll stand with 3" wheels with rigid polycarbonate transparent accessories tray and a designated holder for **GE Healthcare B125 Patient Monitors**

Item Numbers:

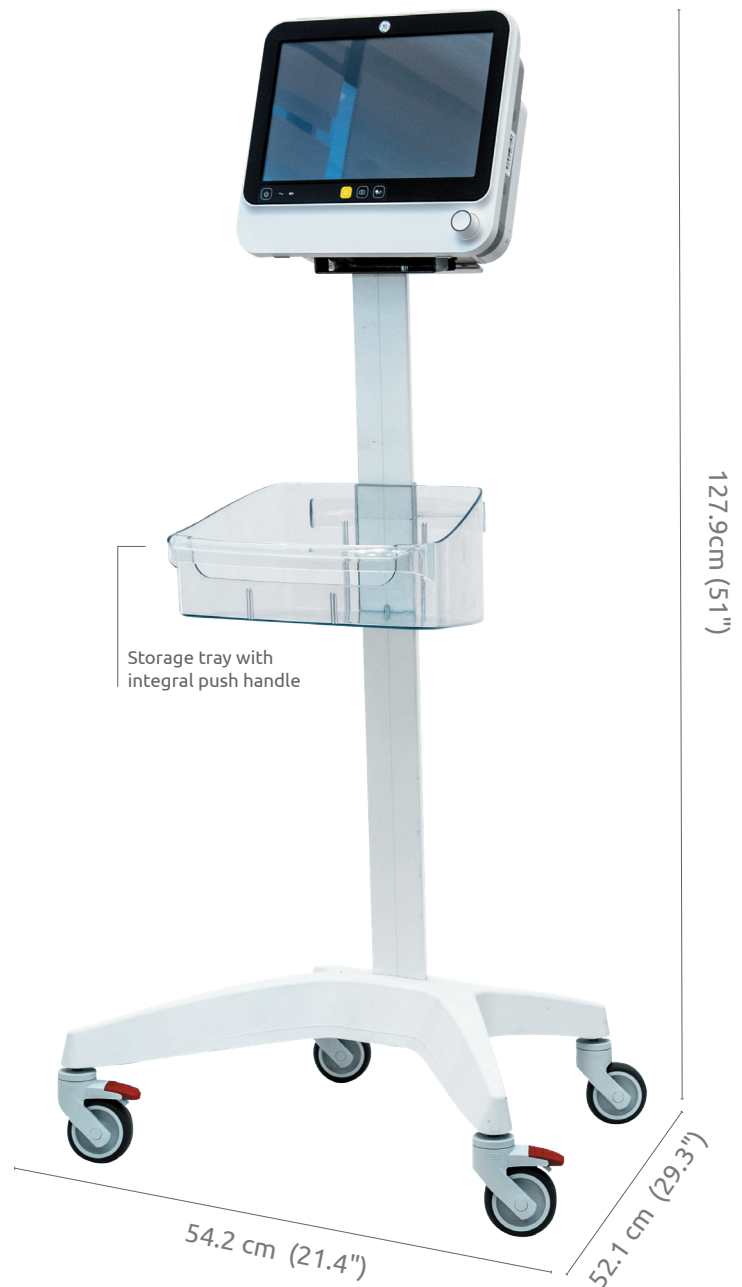
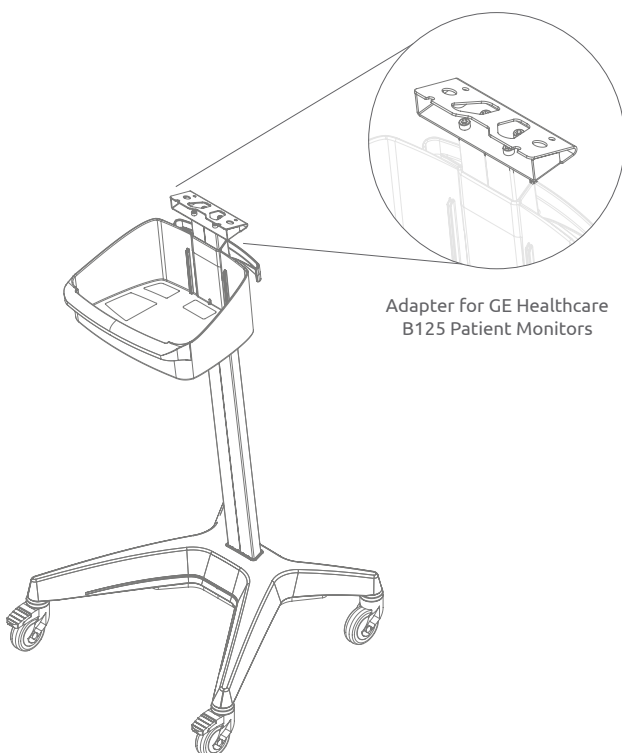
Roll stand with tray:

RSB-MNTR-MPRO85

Adapter for B125:

RSB-GE-B125-ADP

- ✓ *Competitive price*
- ✓ *Tool-free assembly*
- ✓ *Lightweight*



ROLL STAND FOR WISONIC TABLET

A NEW ROLL STAND FOR THE WISONIC PILOTER TABLET ULTRASOUND SYSTEM AT AN EXTREMELY COMPETITIVE PRICE, AVAILABLE IN EUROPE FOR QUICK DELIVERY

A new lightweight maneuverable roll stand specially designed for the **Wisonic Piloter Tablet Ultrasound System** provides a quality roll stand at a competitive price.

The roll provides either, fixed angle positioning, or extremely ergonomic tilt adjustment for the convenience of the medical staff. Roll stand with 3" wheels with rigid polycarbonate transparent accessories tray and a designated holder for **Wisonic Piloter Tablet Ultrasound System**

- ✓ *Competitive price*
- ✓ *Tool-free assembly*
- ✓ *Lightweight*

Item Numbers:

Roll stand with tray:

RSB-MNTR-MPRO85

Adapter for Wisonic Piloter:

????

40°

